

# EL300



Preferred for Precision Measurements



Generic design with user selectable mode for Milling and Turning

Optical Glass or Magnetic encoders **RATED TO IP67**

Cost effective design

Auxiliary option with 6-outputs and Probe

Tactile operator feedback

Latest SDM manufactured design

Segmented and Linear compensation

Clear wide-viewing angle display

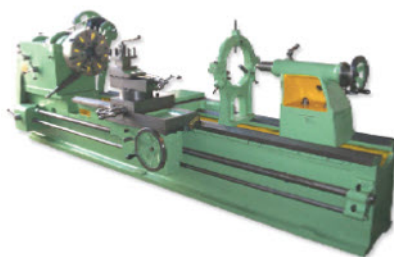
Quality International manufacturer

Ideal replacement for retrofit. Multiple Encoder interface options available.

Manufactured to ISO 9001:2000



Milling Machines



Turning Machines



General Machines



# EL300

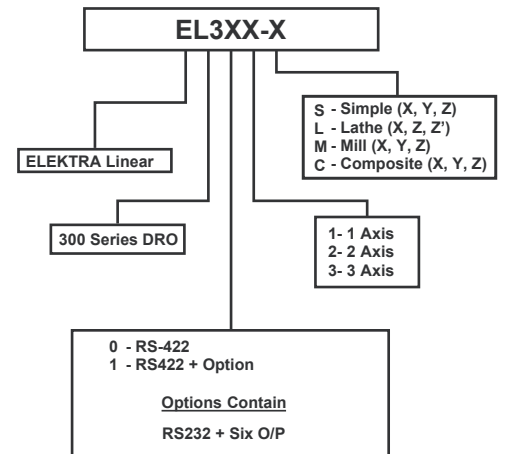
## Digital Readout Series

Feature	Mill	Lathe	Composite
No. Axes	2, 3	2, 3	1, 2, 3
Display	LED		
Case	Plastic Injection moulded		
Power	90...265 VAC (50/60 Hz)		
Storage Temperature	-20°C to +70°C		
Operating Temperature	0°C to +50°C		
Relative Humidity	20% to 85% Non-condensing Dimensions		
(HxWxD)	155mm x 270mm x 80mm		
USB Service Port	Fitted as standard		
Auxiliary Port			

Feature	Mill	Lathe	Composite
Half Function			
Inch/metric conversion			
Absolute/incremental modes			
Axis home reference			
Machine Reference			
Sub Datums			
Tool Offsets			
Bolt-hole circle (PCD)			
Arc Bolt Hole			
Arc Contouring			
Grid Hole function			
Taper calculator			
Internal axis summing			
Vectoring function			
Line Hole function			
Calculator (Trigonometric)			
Encoder fail detection			
Memory backup			

\* Simple version available on request

Standard  
 Option



Dealer Stamp



**Electronica Mechatronic Systems (I) Pvt. Limited (UK)**  
 Electronica House  
 2 Nursery Court  
 Kibworth Beauchamp  
 Leicestershire LE8 0EX  
 England  
 Tel: +44 (0) 116 279 6891  
 Fax: +44 (0) 116 279 6702  
 e-mail: info@electronicaems.co.uk  
 web: electronicaems.co.uk

**Electronica Mechatronic Systems (I) Pvt. Limited**  
 Unit No 37 & 44  
 Electronic Co-op Estate  
 Pune-Satara Road  
 Pune 411 009  
 India  
 Tel: +91 20 2422 4440  
 Fax: +91 20 2422 1881  
 e-mail: export@electronicaems.com  
 web: electronicaems.com